

f



OTO® lift trucks

ENGLISH



22

25

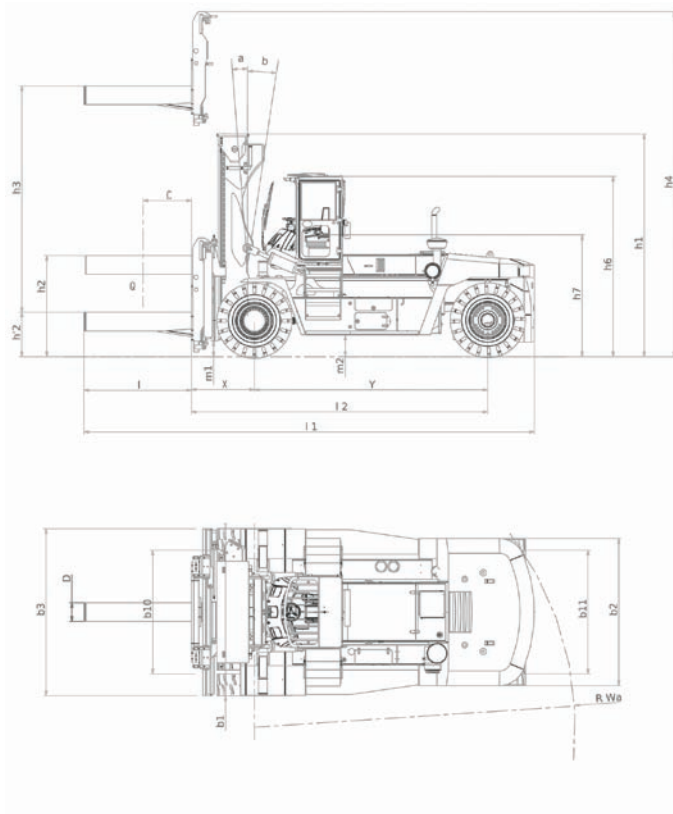
26

tons

## New forklift

Quality, strength  
and easy handling

OTO lift trucks is the only 100% Italian producer with a range of products from 12 to 52 tons.



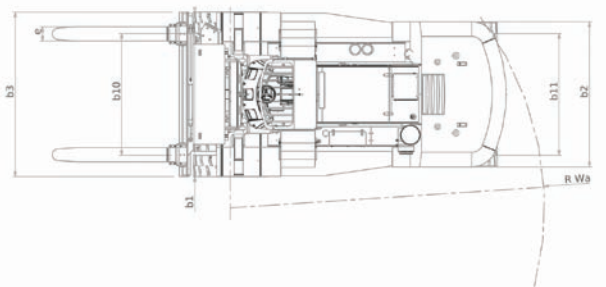
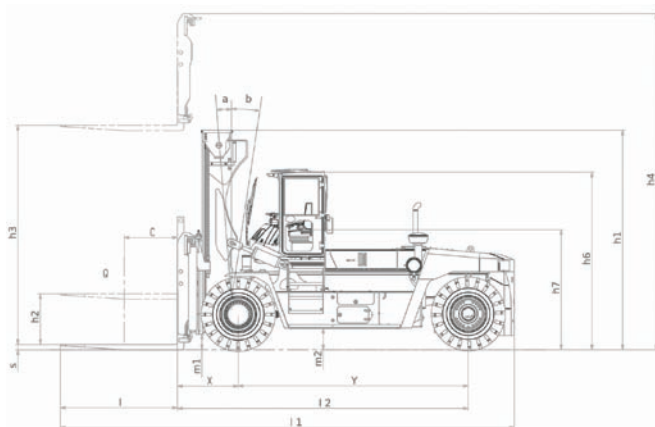
Model		
Motorisation - Electric, Diesel, Petrol		
Nominal capacity		Q (t)
Centre of gravity		c (mm)
Wheelbase		y (mm)
Type of tyres: SE = super elastic CU = cushion PN = tyres		
Dimensions of the front tyres		
Dimensions of the rear tyres		
Number of wheels: N. front / N. rear (x = driven)		
Height from the ground - cabin protection		h6 (mm)
Height from the ground - operator's seat		h7 (mm)
Length with standard forks		l1 (mm)
Length with standard coil ram		l1 R (mm)
Length till the fork face		l2 (mm)
Total width, included front and rear wheels		b1/b2 (mm)
Forks - Thickness/width/length		s/e/l (mm)
Operating space (fork 2465 mm)		Ast (mm)
Turning radius		Wa (mm)
Performances		
Forward motion translation speed	loaded/unloaded	km/h
Lifting speed	loaded/unloaded	m/s
Lowering speed	loaded/unloaded	m/s
Service brakes*		
Engine		
Engine model and brand *		
Gross nominal power - ISO 1585 (without fan)		kW @ min <sup>-1</sup>
Nominal speed		min <sup>-1</sup>
Maximum torque		Nm@min
Number of cylinders/displacement		
Fuel consumption according to VDI cycle (60 cycles/h)		l/h
Transmission		
Type of transmission		
Transmission brand and motor		
Traction axle brand		
Noise level in the cabin at the operator's ear		dB (A)

\*Also available with motors: Volvo TAD 750 ve stage 3A 181 kW / Cummins QSC8,3 stage 3A 181 kW

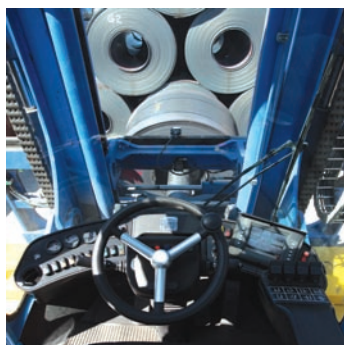




OTO MM F220-12	OTO MM F250-12	OTO MM F260-9
Diesel	Diesel	Diesel
22 t	25 t	26 t
1200	1200	900
4300	4300	4300
PN	PN	PN
14,00-24 (10 bar)	14,00-24 (10 bar)	14,00-24 (10 bar)
14,00-24 (10 bar)	14,00-24 (10 bar)	14,00-24 (10 bar)
4 / 2	4 / 2	4 / 2
3500	3500	3500
2400	2400	2400
8715	8715	N/A
N/A	N/A	8046
6265	6265	6346
3260 / 2615	3260 / 2615	3260 / 2615
110 / 240 / 2450	110 / 240 / 2450	N/A
10000	10000	9900
6100	6100	6100
24 / 28,3	23 / 27,5	22,5 / 27
0,28 / 0,4	0,26 / 0,4	0,25 / 0,4
0,4 / 0,4	0,4 / 0,4	0,4 / 0,4
Multiple disks in oil bath	Multiple disks in oil bath	Multiple disks in oil bath
FPT N67 stage 3B	FPT N67 stage 3B	FPT N67 stage 3B
181 @ 2200	181 @ 2200	181 @ 2200
2200	2200	2200
1120@1500	1120@1500	1120@1500
6 / 6700	6 / 6700	6 / 6700
16	16,5	17
Hydrodynamic	Hydrodynamic	Hydrodynamic
Dana TE 17	Dana TE 17	Dana TE 17
Kessler	Kessler	Kessler
71	71	71



# OTO Lift Trucks 22/25/26 tons. The power in motion.



The unique design of the cabin, the broad visibility and its easy handling make it a means characterized by high performances and very easy handling.

The sturdiness of the mechanical components, made and assembled in Italy, combined with the FTP motor power, make our Lift Truck appreciated by its operators. Strength and easy handling...these are the basic characteristics for an intense work in safety.

## Easy to maintain

Designed to enable a rapid maintenance intervention through only one easy access to the centralized system of lubrication and of replacement of gear and engine filters.

The reduction of the maintenance time implies a substantial reduction of the machine halts, thus improving the productivity of the means.

## Compact dimensions

Its compact dimensions and a reduced turning radius enable a broader use of the areas, thus allowing a better arrangement of the stocked materials.

The excellent handling means therefore even an easy use and a higher speed during the working operations.

## Guarantee

OTO Lift Truck is guaranteed up to 24 months for the main components. Our guarantee is your saving and advantage.

## Service

The widespread covering over all the territory meets the customers' needs and ensures an always efficient service.

The management of the Assistance Service and the professionalism of our technicians, in case of need, guarantee a rapid intervention within 12 hours.

## Italian mechanical quality

The manufacture of the truck is entrusted to our very qualified and professional labor as well as to specialized national and European suppliers.

The means are commercialized only after passing accurate specific tests made in the factories of our Group.

We are the only Italian company which is completely made in Italy.

## Consumption economy

By using a variable capacity hydraulic system, we can obtain a strong consumption reduction.

## Sturdiness

Thanks to high quality materials for all building parts, we make very sturdy trucks, thus preventing them from breakages and consequently saving on the carrying costs. The sturdy framework gives the means a considerable stability, thus resulting in a high level of safety during its use.

[www.otocompany.com](http://www.otocompany.com)

OTO lift trucks  
Via Domenico Marchesi, 4  
42022 Boretto (RE) Italy  
Tel. +39 0522 481211  
Fax +39 0522 964188  
info@otocompany.com

